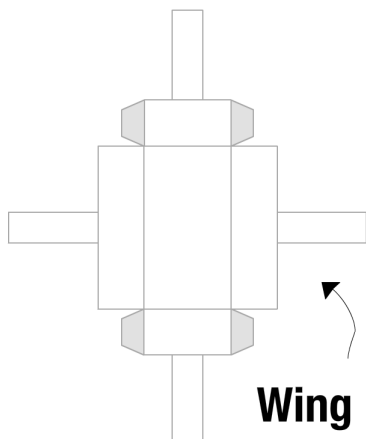
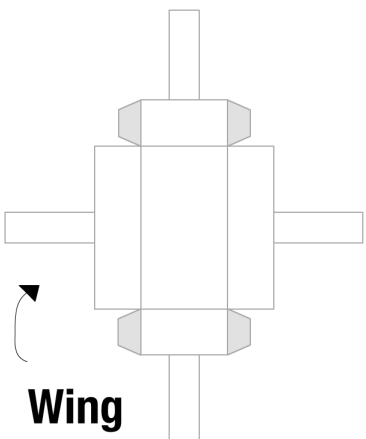
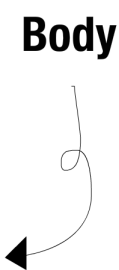
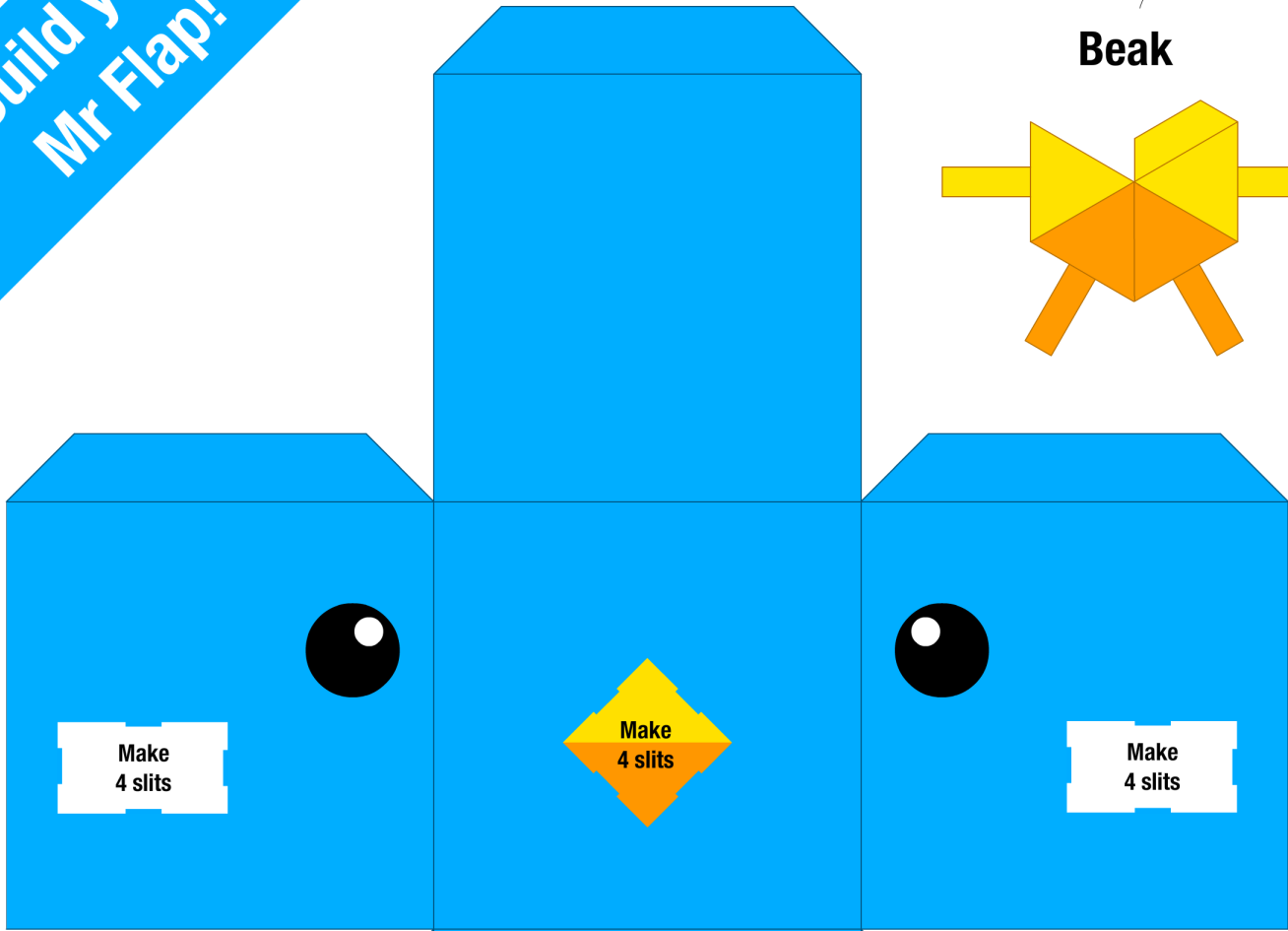
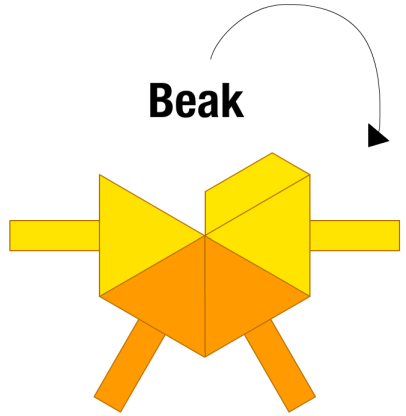


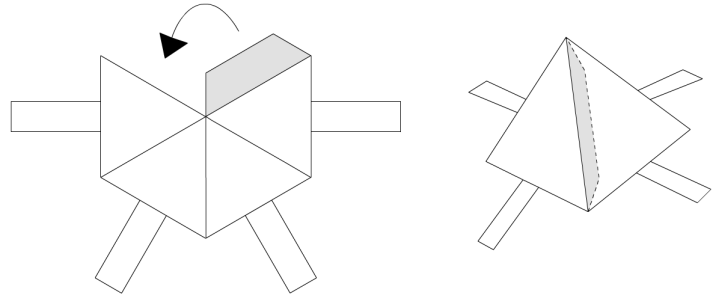
**Build your Mr Flap!**



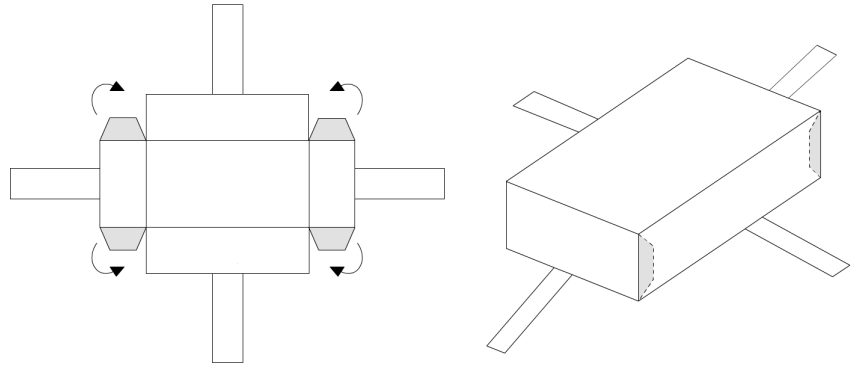
# Instructions

**1. Carefully cut out the 4 shapes on the first page**

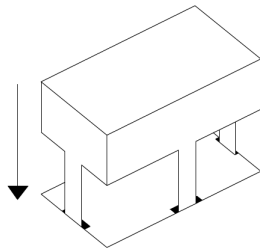
**2. Build the beak using glue**



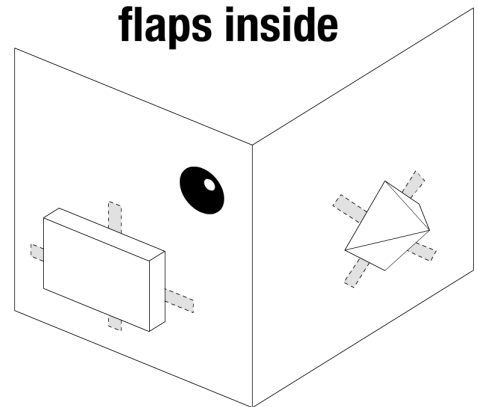
**3. Build the wings using glue**



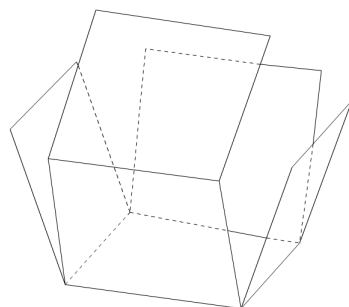
**4. Attach the beak and the wings to the body by passing their flaps into the body's slits**



**5. Glue the flaps inside**



**6. Build the body using glue**



**Enjoy!**