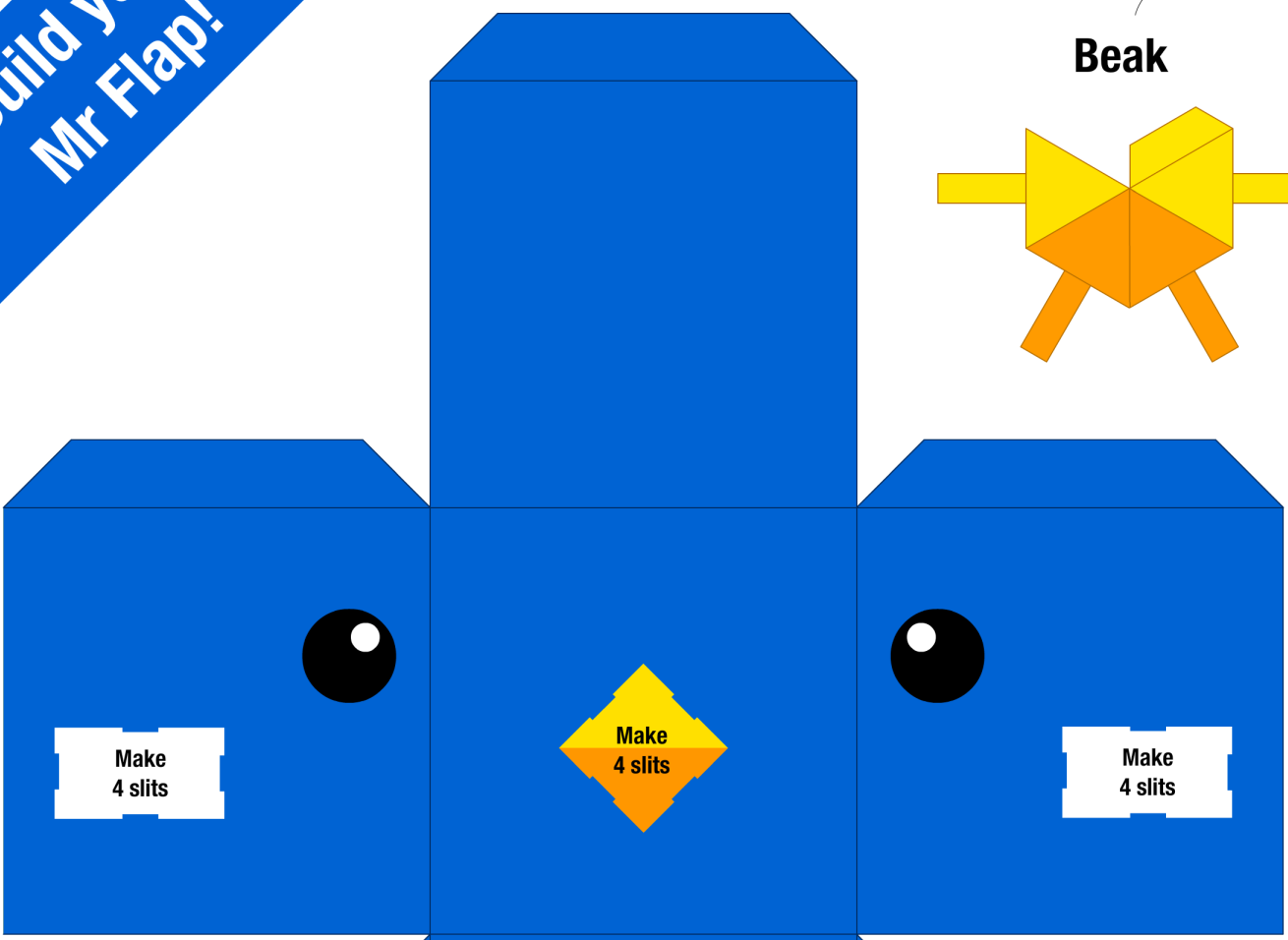
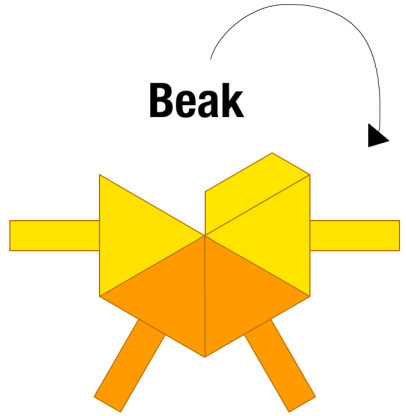
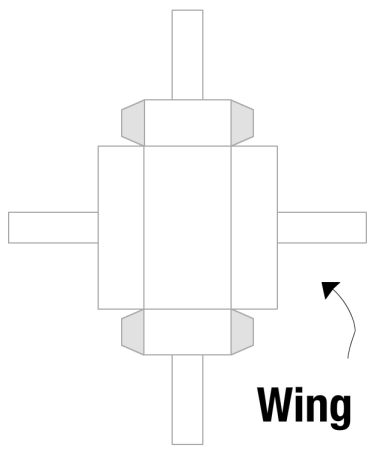
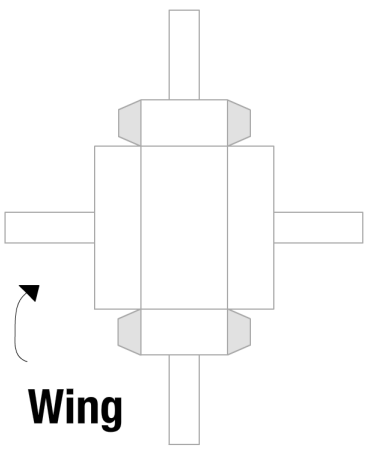


**Build your
Mr Flap!**



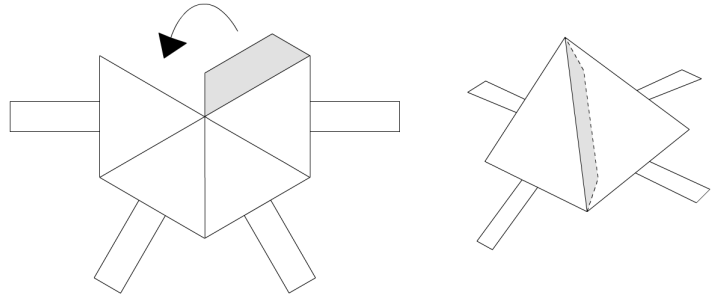
Body



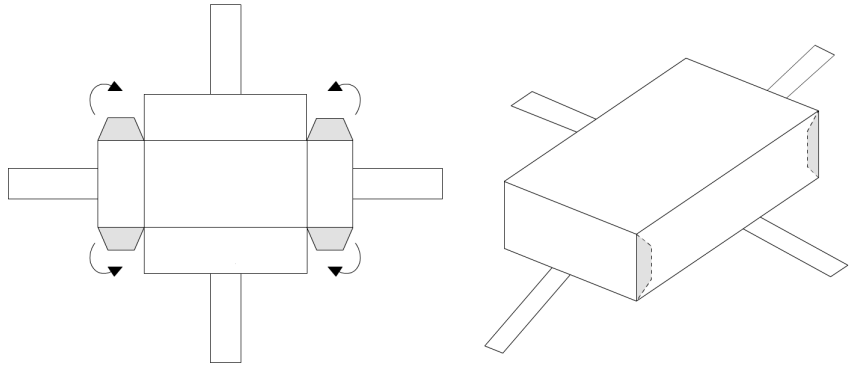
Instructions

1. Carefully cut out the 4 shapes on the first page

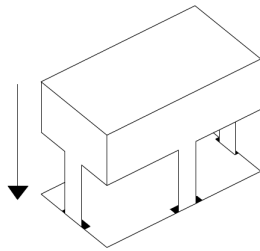
2. Build the beak using glue



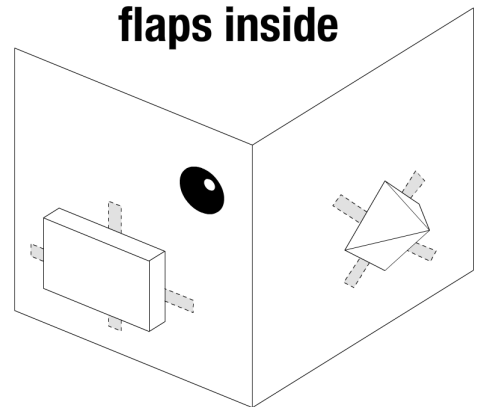
3. Build the wings using glue



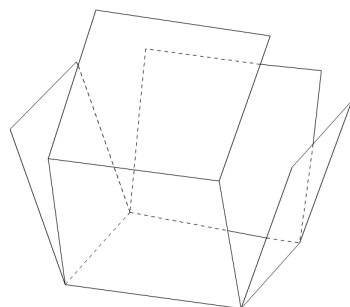
4. Attach the beak and the wings to the body by passing their flaps into the body's slits



5. Glue the flaps inside



6. Build the body using glue



Enjoy!